



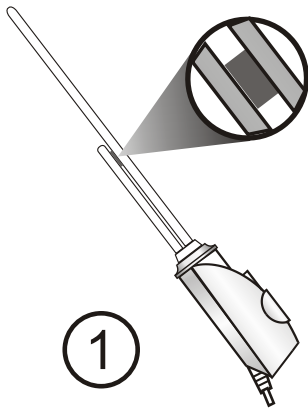
**Do not remove
silicone spacer
from heating element**



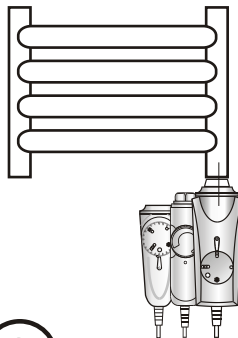
**Suggested
installation**



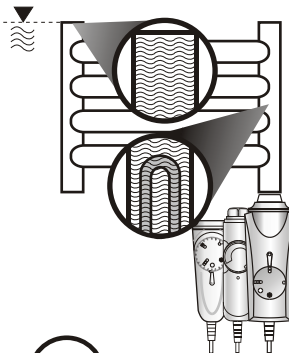
**The radiator should be
fully purged of air
The heating element
must be fully immersed**



1



2



3



INSTALLATION INSTRUCTIONS

For radiators not connected to a central heating system.



1. Remove the 2-piece protective collar next to the thread and screw the heater into the radiator using a suitable spanner. The special conical gasket fitted to the 1/2" connection of the heater enables the heater to be screwed into the radiator until the control box faces forward. **IT IS IMPORTANT NOT TO OVERTIGHTEN THE HEATER.** 2 turns are normally sufficient to make an hermetic seal.

2. After installing the heater the radiator should be filled with liquid (water/water-glycol mixture), and checked for any leaks. **The radiator cannot be fully filled. There should be left unfilled space of about 5 cm because of liquid thermal expansion.** At this point the GT heater may be plugged or hard wired to the electrical system in compliance with local electrical regulations.

3. The heater is switched on by turning the control knob clockwise, and the LED on the casing will light up. The star shaped position on the control knob is for frost protection (approx. 10°C). The range of temperature regulation is from 20°C to 70°C. The heater is turned off by turning the control knob as far as possible anticlockwise..

4. Maintenance :
The heater **MUST BE DISCONNECTED** before cleaning the casing.
The casing may be cleaned using a soft cleaning agent on a damp cloth.
AVOID SOAKING THE CASING.

NOTICE:

1. The **tubular heating element** **MUST** be fully immersed in water, or water/glycol mixture, to comply with the guarantee conditions, and to ensure long life of the product.
2. Bathroom radiators fitted with electric heaters should be fixed not less than 60 cm from a bath, shower or wash basin, and never above a bath.
3. The heater should be installed by a qualified person.
4. In case of operational failure or damage to the electricity supply cable the heater should be disconnected and returned to the supplier.

WARNING:

to prevent fire or electrical shock hazard, do not expose this product to moisture.

Do not store this product in humid places or near abnormally wet areas. Do not expose this appliance to dripping and splashing water.

Power is continuously supplied to this product. To disconnect power completely, disconnect hard wiring from the electrical system.